

VITON:
-20°C ÷ 120°C
POLYURETHANE:
-20°C ÷ 82°C

Working pressure:
from 0 to 40 Bar

Compressed air

- Parallel gas BSPP ISO 228
from G1/8" to G1"
- NPT
N1/4", N1/2", N1"

Body: Stainless steel AISI 316
Seal:
1/8" and 1/4" in Viton
from 3/8" to 1" in Polyurethane

SILICONE FREE

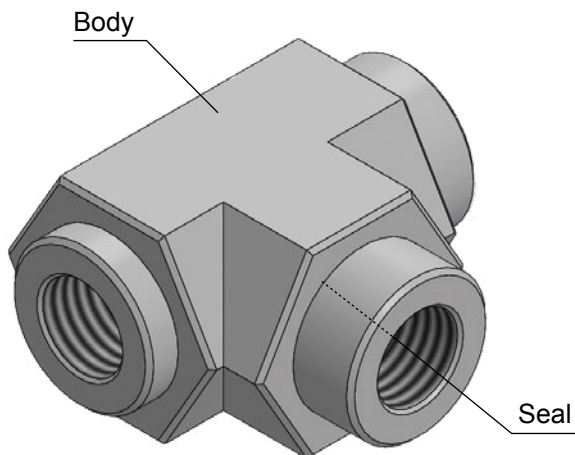


Products in compliance with EC Regulation 1907/2006

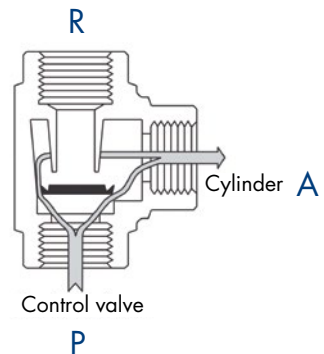
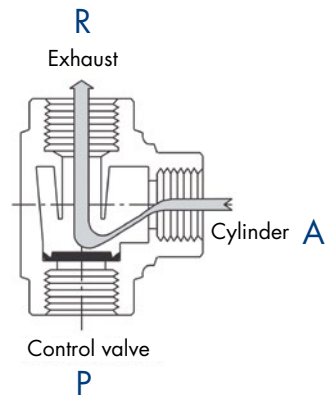
RoHS3

Products in compliance with the directive EU 2015/863

CONSTRUCTION DETAILS

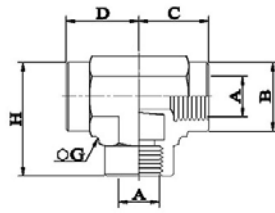


FLOW DIRECTION



1400

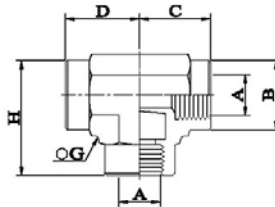
Quick exhaust valve, BSPP thread



CODE	A	B	C	D	H	G	g
1400TR18	G 1/8"	17	21	16,5	31,5	22	125,0
1400TR14	G 1/4"	17	21	16,5	31,5	22	155,0
1400TR38	G 3/8"	22	25,5	19	37	27	202,0
1400TR12	G 1/2"	27	31	23	46	32	305,0
1400TR34	G 3/4"	38	44	35	46	46	915,0
1400TR1	G 1"	38	44	35	46	46	1380,0

1400-N

Quick exhaust valve, NPT thread



CODE	T	I	L1	L2	L3	H1	g
1400TRN14	N 1/4"	17	21	16,5	31,5	22	155,0
1400TRN12	N 1/2"	27	31	23	46	32	305,0
1400TRN1	N 1"	38	44	35	46	46	1380,0

